



Hobart® Stainless Steel Solid Wire Drums

Setup Guide

Quick installation, smooth feedability and easy arc starts

Stainless Steel Solid Wire Drum Features

The upper portion of the drum is encompassed with a metal chime ring which provides reinforcement for the outer shell. The drum has metal hangers that may be used as lift points for hoists and transport of the drum. The lid is sealed for moisture protection during transport and storage and is secured with a metal band. The walls of the drum are coated for moisture resistance and protection. A low-resistance float ring is used to regulate the payoff of the drum in use.

Wire Dimensions – Available Wire Diameter

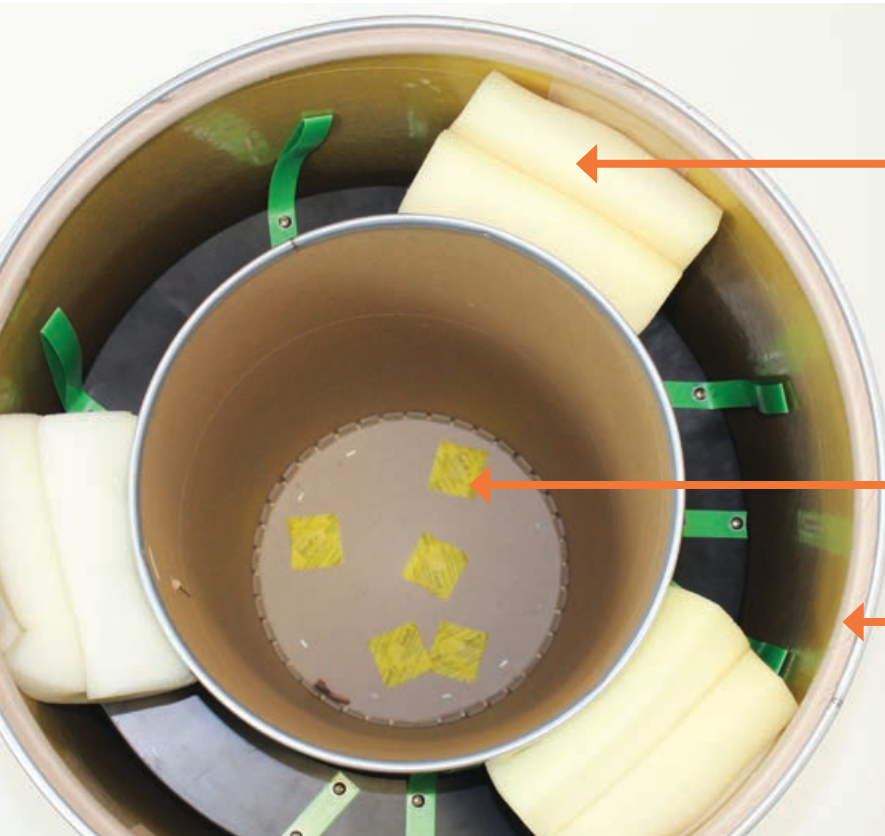
SS MIG Wires/In Drum	
Diameter (in)	Weight (lb)
0.035 in (0.9 mm) and 0.045 in (1.2 mm)	550 (250 kg)

Currently available alloys and diameters can be referenced on HobartBrothers.com

Specifications – Packaging Dimensions

Drum Dimensions		
Outer Diameter	Height	Weight
20 in	32 in	550 lbs

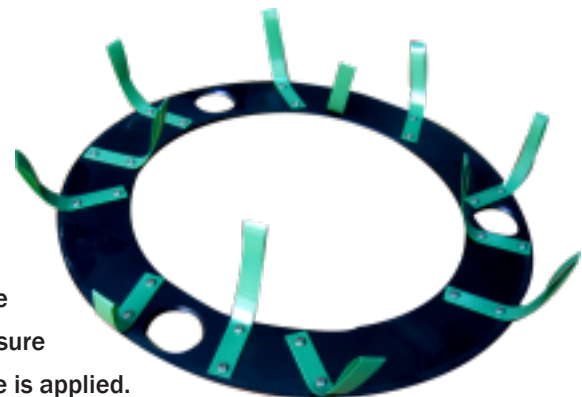
Packaging Design



Cushion Foam – Provides protection during shipping and transport. Removal is required during drum setup. Remove them while in use.

Desiccant – Provides additional moisture protection during transport and storage.

Float Ring – Provides consistent pressure and resistance on the top of the coil for smooth feeding. Wire feeds from the outside of the float ring.



Nylon straps help keep the float ring centered and assure proper downward pressure is applied.

Placement of Drum

Drum should be placed on a level surface in an area close to the welding cell in which it will be used.

Caution – rolling or tilting the drum will increase the likelihood of wire tangles while in use.

A drum hood (sold separately) is required to properly set up a drum of wire for welding operations. Drum hoods are available from wire accessory firms such as Wire Wizard (www.wirewizard.com).

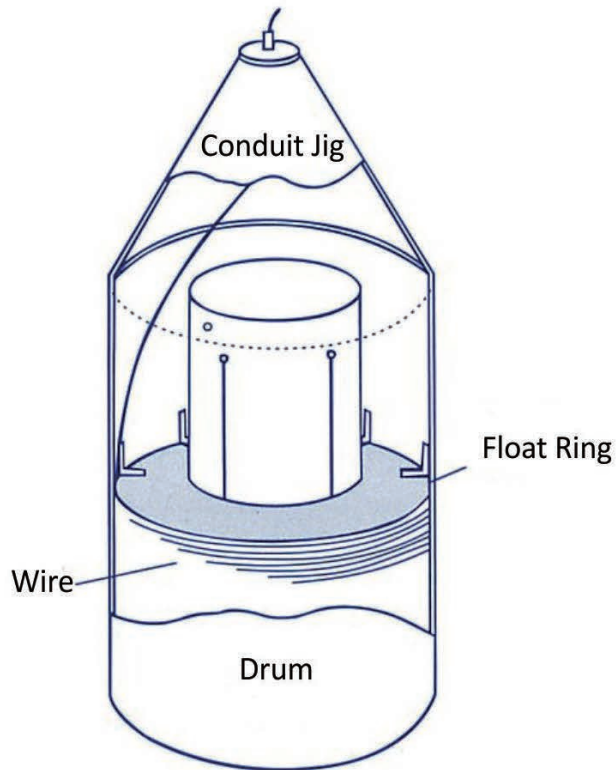
Cautions for Use

1. Caution for wire setup and use

- The wire will spring off easily to the outside of the drum if left unsecured. To avoid danger, fix the end firmly when not in use.
- Firmly grasp wire before inserting into the wire conduit during installation.

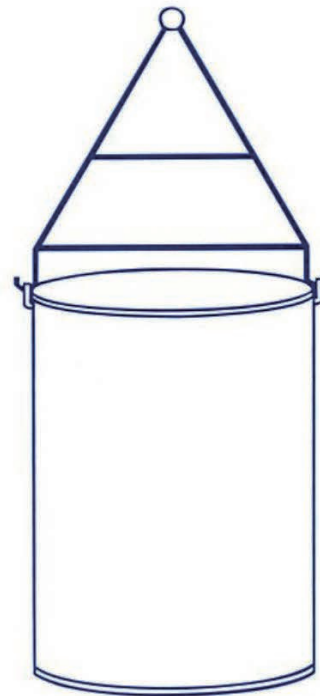
2. Wire setup

- Remove tie downs used to secure wire during shipment from drum pack prior to installation.
- The float ring must remain in place during use.
- Wire feeds from the outside of the float ring.



3. Drum handling method

- When not in use, the lid should be fixed firmly.
- When using a drum lifting device, ensure both sides of drum are secure prior to lifting. Do not lift by only one side!



The drum ring shall remain stationary during use. Do not rotate during use. Keep moisture out.

Setup Instructions



1. The external view of the Hobart Stainless Steel solid wire drum.



2. Release metal ring that secures the lid to the chime ring. Remove band of tape that seals the lid to the chime ring.



3. Open the lid. Internal view of the drum.



4. Remove the three foam cushions from in between the drum core and outer wall.



5. Locate the end of the wire and cut the loop off that was securing it to the drum. Do not release the wire after cutting; tangles may result!

Setup Instructions



6. Lead the wire end through the conduit opening on the drum cone or top hat. Be sure to pull enough wire through to prevent it from falling back into the drum.



7. Secure the drum cone or top hat to the drum, using the metal band if necessary. Note: some drum accessory manufacturers' drum cones slip over the outer edge of the drum. These types of drum cones do require the metal band to secure them to the drum.



8. Pull or push the wire through the conduit cable and secure connection with the wire feeder. Setup is complete.

Support Contacts

Hobart welcomes the opportunity to demonstrate the weld quality that can be achieved with our products. Please feel free to contact us utilizing one of the methods listed below. We encourage you to work through your local distributor and/or sales representative.

Applications Engineering Hotline: 800-532-2618 / applications.engineering@hobartbrothers.com

Customer Service
(Domestic)

8 AM – 8 PM ET
Phone: 800-424-1543
Fax: 800-541-6607

Customer Service
(Canadian)

8 AM – 5 PM ET
Phone: 888-489-9353 or 905-267-2171
Fax: 905-820-4816

Customer Service
(International)

7 AM – 4 PM ET
Phone: 937-332-5188
Fax: 937-332-5064

Hobart® Stainless Steel Solid Wire Drums



HobartBrothers.com

©2016 Hobart Brothers Company
Hobart and the Hobart logo are trademarks of Illinois Tool Works, Inc.

